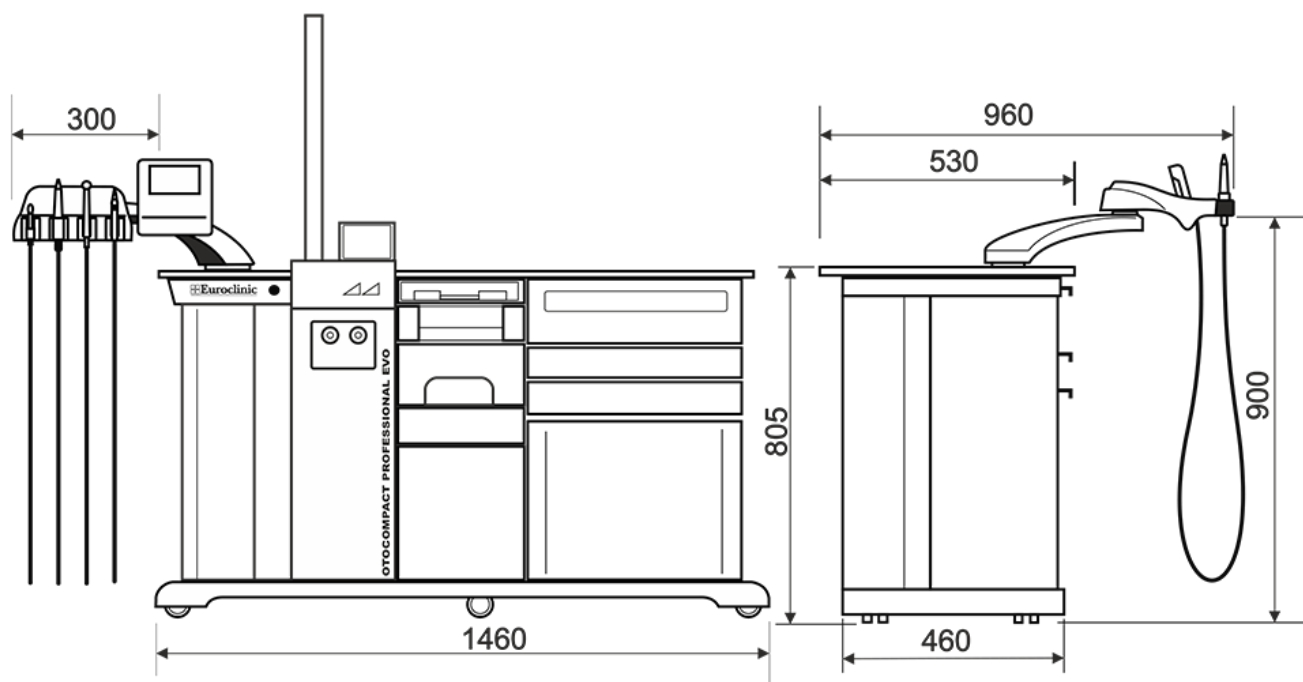


## Data sheet Otocompact Professional EVO



### Technical details

NAME	VALUE
Power supply tension	220/240 V(110/115 VAC)
Frequency	50/60 Hz
Absorbed power (MAX maximum configuration)	1550 VA
Weight	180 Kg
Maximum number of instruments	4
Insufflator air flow	26 l/m (variation up to 250 Kpa)
Washing stringe capacity	350 cc/min (at 2 Bar)
Nominal suction (oil motor)	-86 Kpa (-650 mm Hg 50 L/min)
Power supply fuses	F1, F2 = 6,3 A T
Fuse external Plug	F3 = 4 A T

### MEDI-CARE SOLUTIONS S.R.L

Via Pietro Nenni, 3 - 40026 Imola (BO) - Italy  
 Capitale sociale: 50.000,00 Rea: BO-515493  
 Partiva Iva e CF: 03390661209  
 Pec: medicaresolutions@legalmail.it