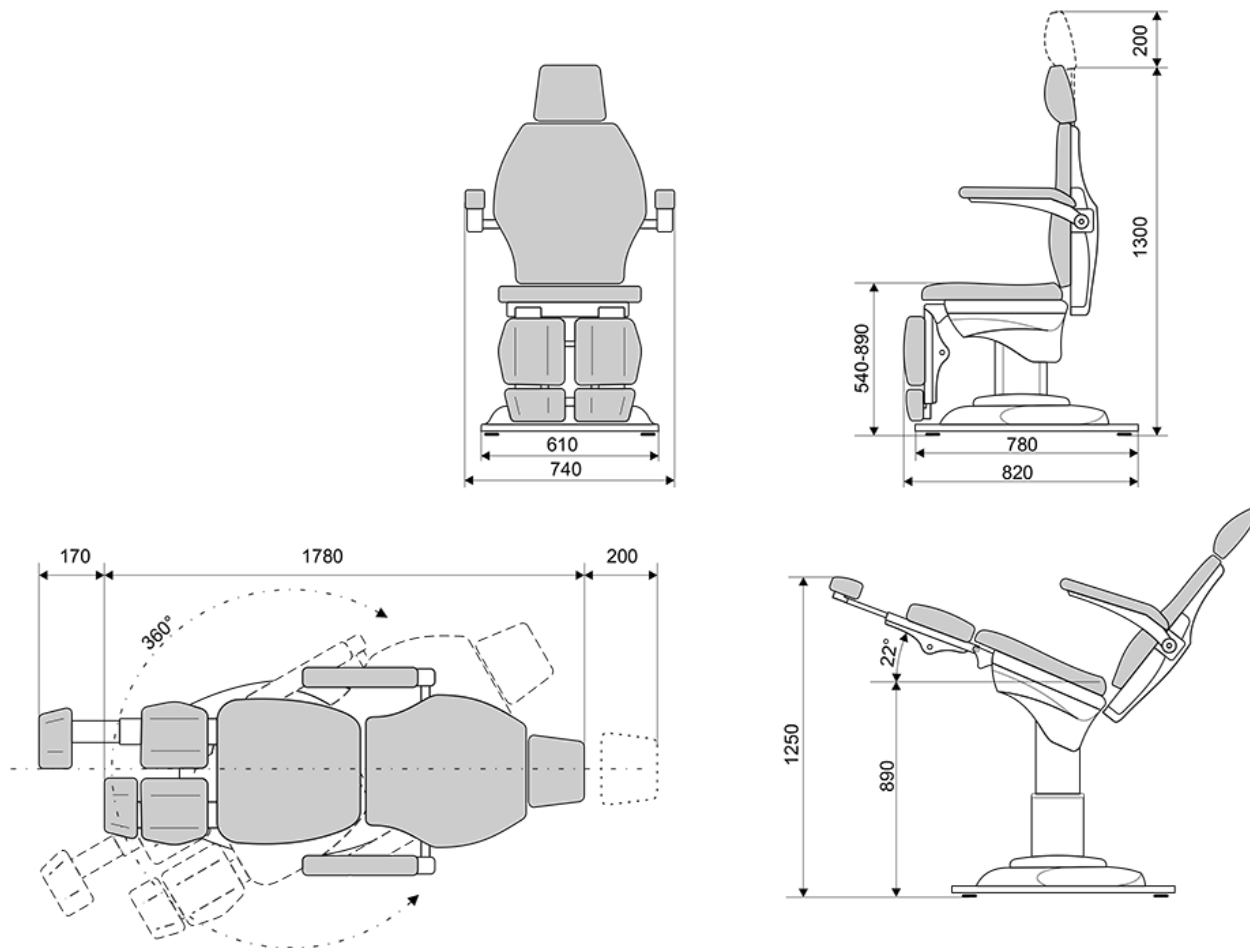


Data sheet Xenon



Technical details

NAME	VALUE
Feeding tension	100-240 VAC - 50/60 Hz
Low tension motor	24 Vdc
Lifting motor push	4000 N
Backrest motor push	6000 N
Seat motor push	6000 N
Rotation Break motor	250 N
Lifting Capacity	300 Kg
Absorbed power	200 VA

MEDI-CARE SOLUTIONS S.R.L

Via Pietro Nenni, 3 - 40026 Imola (BO) - Italy
 Capitale sociale: 50.000,00 Rea: BO-515493
 Partiva Iva e CF: 03390661209
 Pec: medicaresolutions@legalmail.it

Data sheet Xenon

Chair weight	120 Kg
Maximum legrest height	1330 mm

MEDI-CARE SOLUTIONS S.R.L

Via Pietro Nenni, 3 - 40026 Imola (BO) - Italy
Capitale sociale: 50.000,00 Rea: BO-515493
Partiva Iva e CF: 03390661209
Pec: medicaresolutions@legalmail.it