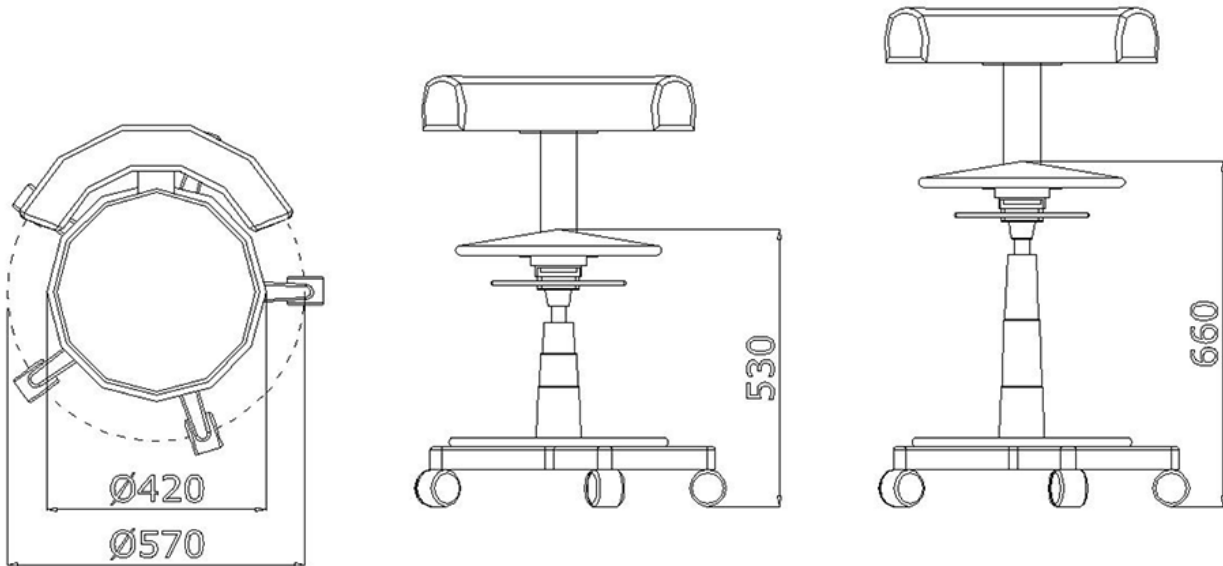


Data sheet SPD / A



Technical details

NAME	VALUE
Ring foot rest diameter SPD/A	420 mm
Base diameter	570 mm
Weight	13.7 kg
Maximum height	660 mm
Minimum height	530 mm

MEDI-CARE SOLUTIONS S.R.L

Via Pietro Nenni, 3 - 40026 Imola (BO) - Italy
 Capitale sociale: 50.000,00 Rea: BO-515493
 Partiva Iva e CF: 03390661209
 Pec: medicaresolutions@legalmail.it