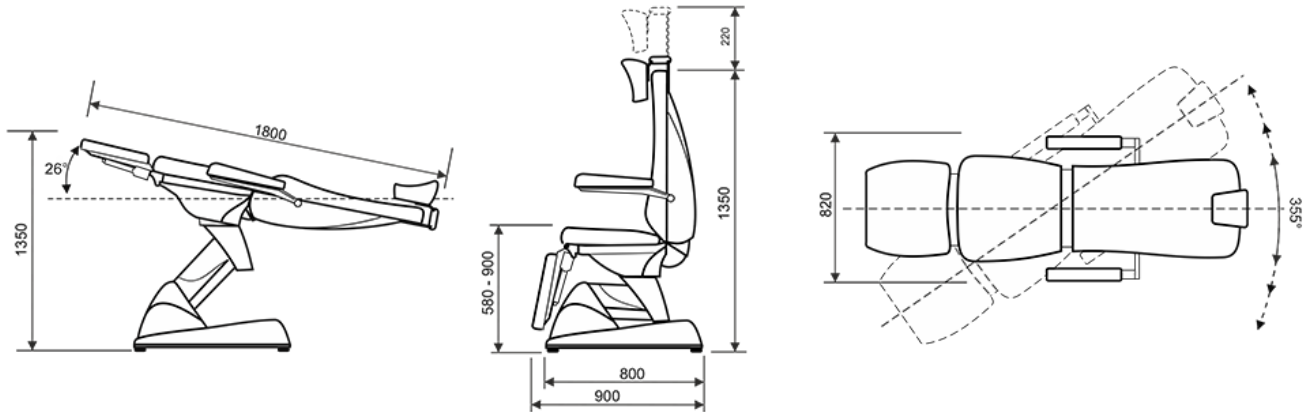


Data sheet Mediconcept



Technical details

NAME	VALUE
Power feeding tension	230 Vac +/-10% 50/60 Hz
Low tension motor	24 Vdc
Max absorbed power	120VA
Lifting motor push	8000 N
Backrest motor	6000 N
Seat motor	6000 N
Lifting capacity	200 Kg
Chair weight	120 Kg

MEDI-CARE SOLUTIONS S.R.L

Via Pietro Nenni, 3 - 40026 Imola (BO) - Italy
 Capitale sociale: 50.000,00 Rea: BO-515493
 Partiva Iva e CF: 03390661209
 Pec: medicaresolutions@legalmail.it