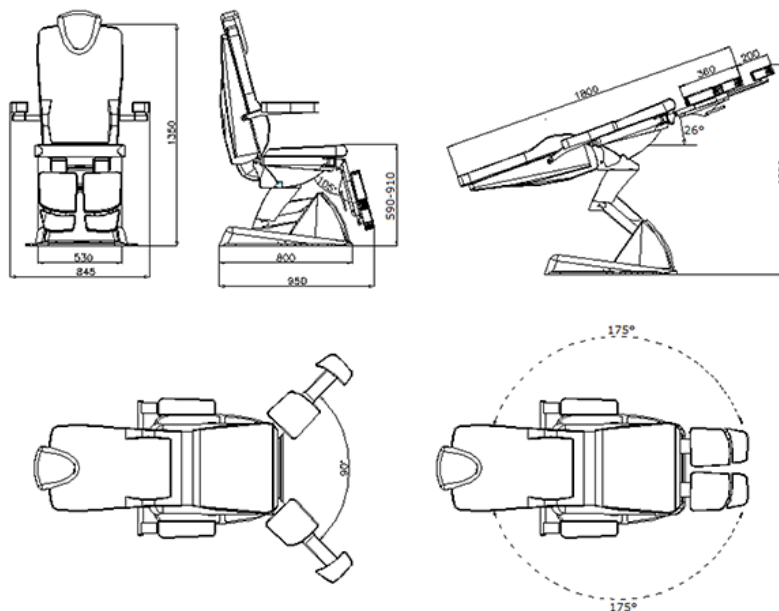


Data sheet Concept



Technical details

| NAME | VALUE |
|------------------------|----------------------|
| Feeding tension | 100-240 VAC 50/60 Hz |
| Low tension motor | 24 Vdc |
| Lifting motor push | 6000 N |
| Backrest motor push | 6000 N |
| Seat motor push | 6000 N |
| Lifting Capacity | 200 Kg |
| Absorbed power | 200VA |
| Chair weight | 120 Kg |
| Base length | 800 mm |
| Maximum legrest height | 1350 mm |

MEDI-CARE SOLUTIONS S.R.L

Via Pietro Nenni, 3 - 40026 Imola (BO) - Italy
 Capitale sociale: 50.000,00 Rea: BO-515493
 Partiva Iva e CF: 03390661209
 Pec: medicaresolutions@legalmail.it