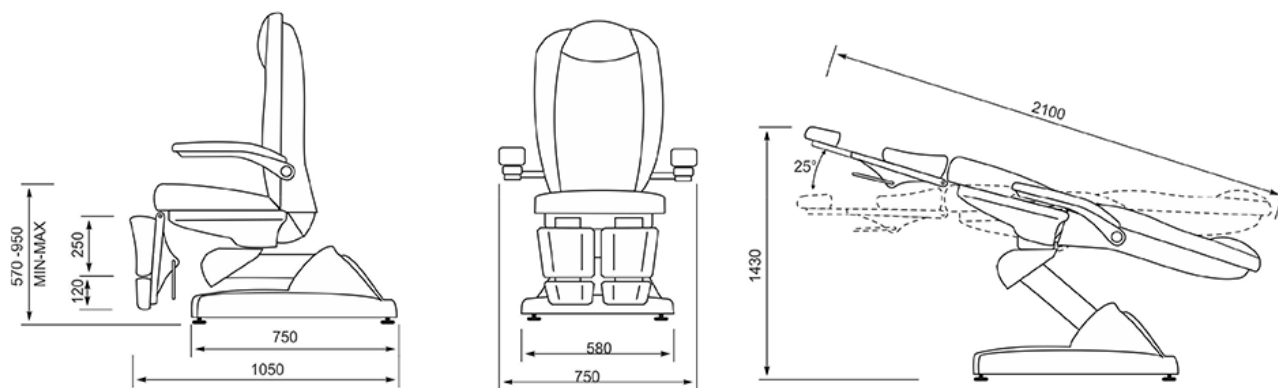


## Data sheet Mya



### Technical details

NAME	VALUE
Feeding tension	230 V-50 Hz
Low tension motor	24 Vdc
Lifting motor push	6000 N
VERSION 3 MOTORS:Backrest motor push	6000 N
VERSION 2 MOTORS:Gas-spring back-rest	800 N
Seat motor push	6000 N
Lifting Capacity	200 Kg
Absorbed power	120 VA
Chair weight	120 Kg
Base lenght	750 mm
Maximum legrest height	1430 mm

### MEDI-CARE SOLUTIONS S.R.L

Via Pietro Nenni, 3 - 40026 Imola (BO) - Italy  
 Capitale sociale: 50.000,00 Rea: BO-515493  
 Partiva Iva e CF: 03390661209  
 Pec: medicaresolutions@legalmail.it