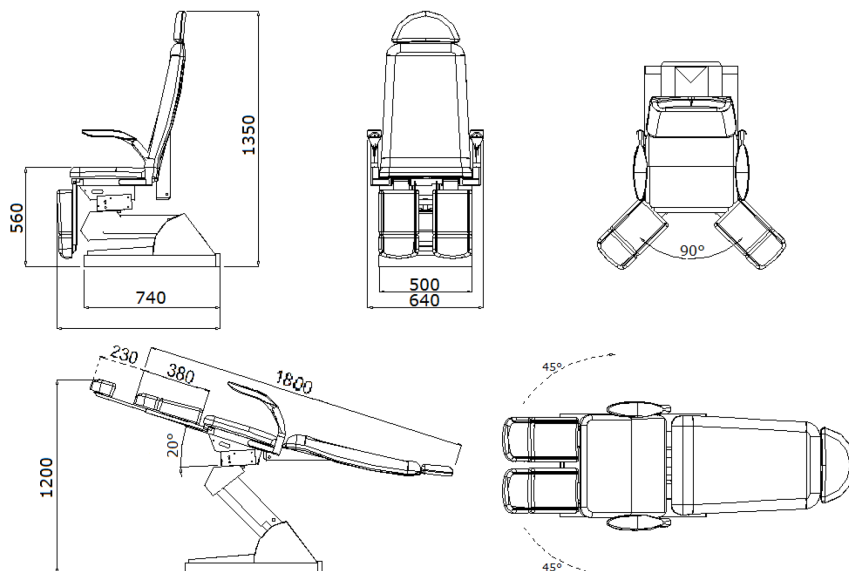


Data sheet Podopeg/E - Podopeg



Technical details

NAME	VALUE
Feeding tension	100-240 VAC 50/60 Hz
Low tension motor	24 Vdc
Lifting motor push	8000 N
Backrest push	800 N
Lifting Capacity	180 Kg
Maximum power	90 VA
Fuses protection	1,6 A
Control box protection degree	IP54
Chair weight	70 Kg
Base length	740 mm
Maximum legrest height	1200 mm

MEDI-CARE SOLUTIONS S.R.L

Via Pietro Nenni, 3 - 40026 Imola (BO) - Italy
 Capitale sociale: 50.000,00 Rea: BO-515493
 Partiva Iva e CF: 03390661209
 Pec: medicaresolutions@legalmail.it