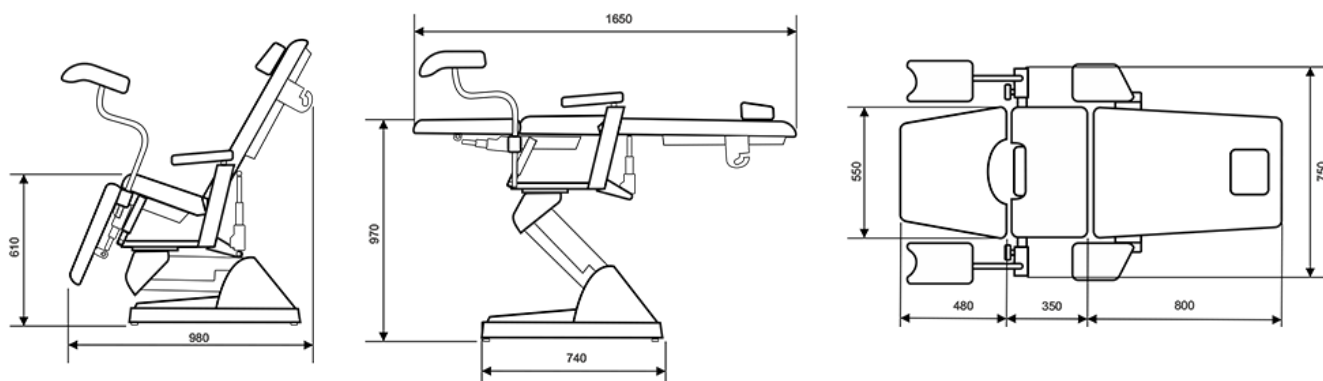


Data sheet Gynex



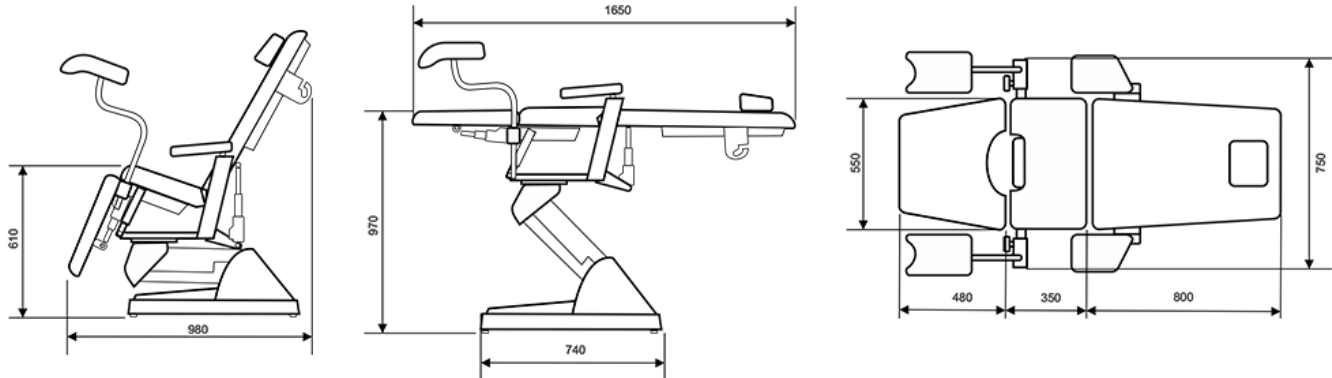
Technical details - 1 / 2 MOTORS

NAME	VALUE
Power supply tension	230 Vac +/- 10% 50/60 Hz
Motor tension	24 Vdc
Max absorbed power	145 V.A
Lifting motor	8000N
Backrest motor (for 2 motors version) / backrest push	2500N / 800N
Lifting capacity	200 Kg
Chair weight	100 Kg
Fuses protection	1 A T - 250 V A C

MEDI-CARE SOLUTIONS S.R.L

Via Pietro Nenni, 3 - 40026 Imola (BO) - Italy
 Capitale sociale: 50.000,00 Rea: BO-515493
 Partiva Iva e CF: 03390661209
 Pec: medicaresolutions@legalmail.it

Data sheet Gynex



Technical details - Professional

NAME	VALUE
Fuses protection	1,6 AT
Chair weight	100 Kg
Lifting capacity	200 Kg
Legrest motor	2500N
Backrest motor	2500N
Lifting motor	8000N
Max absorbed power	145 V.A
Motor tension	24 Vdc
Power supply tension	230 Vac +/- 10% 50/60 Hz

MEDI-CARE SOLUTIONS S.R.L

Via Pietro Nenni, 3 - 40026 Imola (BO) - Italy
 Capitale sociale: 50.000,00 Rea: BO-515493
 Partiva Iva e CF: 03390661209
 Pec: medicaresolutions@legalmail.it